

Endura FrameSaver Door Frame



DOOR COMPONENTS MADE IN THE USA

Contents:

- 83" left side jamb with weather seal
- 83" right side jamb with weather seal
- 36" top frame with weather seal

Other items you'll need:

- Shims
- (6) #8 x1-5/8" screws to fasten frame together
- (10) #10 x3" screws to fasten frame to rough opening

Tools Required

- Tape measure
- Safety glasses
- Power drill/driver
- Power chop saw or miter box
- Framing square
- Level

STEP 1: The width of the top frame frame will be: **Determine the door panel width using the chart on Page 2.**

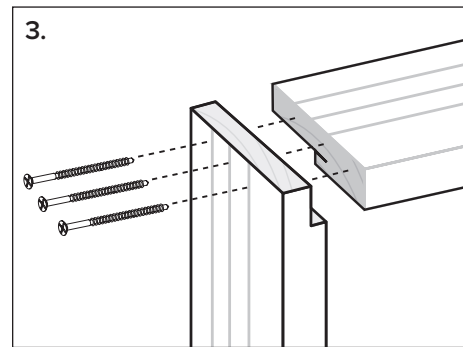
Note: if the sill is being reused, the width of the top frame should match the width of the sill. Trim the top frame.

STEP 2: The thick part on the bottom of the side frame is factory cut at 5 degrees to fit most sills. Hold the sill against the top of the angle cut in the frame and use the bottom of the sill to mark the sills thickness on the door frame. Trim any excess on the bottom of the frame to this mark. Side frame length should be:

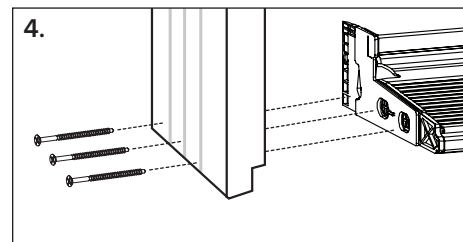
Determine the door panel length using the chart on Page 2.

Measure from the bottom of the frame to the length needed and trim the top of the side frame to the final length. Both side frames should match.

STEP 3: Pre-drill the top of each side frame in three locations, then screw each side frame to the top frame with (3) #8 x 1-5/8 in. screws.



STEP 4: Secure the side frames to the sill. Pre-drill the bottom of each side frame prior to attaching the jambs to the sill. Then fasten the jambs to the sill with (3) #8 x1-5/8" or longer screws.



STEP 5: Route the frame to fit the hinges and lock plates selected. Install hinges and lock plates as needed for the door

being hung on the frame.

STEP 6: Prepare to install your hinges. If installing a new door, find the precise location on the door frame for your hinges. Most doors require at least two hinges: one hinge is located 7" from the top of the door frame, and the other hinge is located 11" from the bottom of the door frame. Measure this distance and mark the location on the frame, and then do the same on the door that you're hanging.

If you have a third hinge, place directly in the middle of the other two hinges.

STEP 7: Put your hinge in place on the door and the jamb, and use a carpenter's pencil to carefully trace around the hinge. Double check to make sure that your outlines match the same location on the door and jamb before moving to the next step.

STEP 8: Cut the mortise by cutting out the wood in the jamb in the shape of the hinge, so that the hinge will be inset and provide more strength. The depth of the mortise should be identical to the width of your hinges. To cut the mortise, you'll need a very sharp chisel and a hammer. While carefully angling the chisel, tap gently into the jamb from the side to remove thin strips of wood. Cutting the mortise too shallow or too deep will affect door operation.

STEP 9: Mark the location of the screws, using the hinge as a guide. Use your pencil to mark the location of the screws in the jamb. Do the same with the location of the hinge on the door. Remove the hinges when you're done marking.

STEP 10: Drill the pilot holes. Use a drill or screwdriver to drill very narrow pilot holes in the location of the screws you marked on the jamb.

STEP 11: Attach hinges.

- Secure to panel with #10 x 1" screws
- Secure to jamb with #10 x 3/4" screws
- For hinge on mull, use # 8 x 2- 1/2 screws at:
 - Top two holes closest to the weatherstrip
 - Other hinges on top hole closest to the weatherstrip

ASSEMBLY AND INSTALLATION INSTRUCTIONS

Endura FrameSaver Door Frame

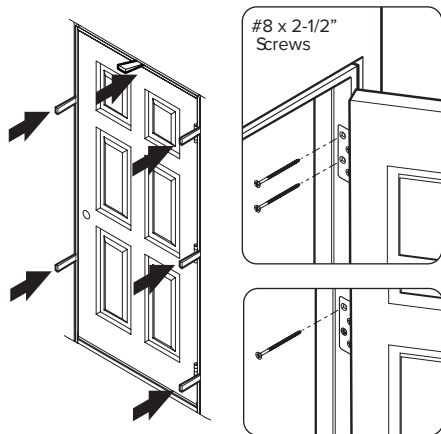
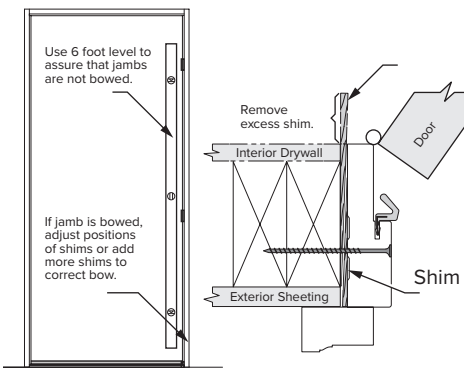
betterdoor.™



DOOR COMPONENTS MADE IN THE USA

STEP 13: Set the frame assembly in the rough opening. Shim the frame in place at the locations shown. Ensure the door is plumb, level and square.

13./14./15.

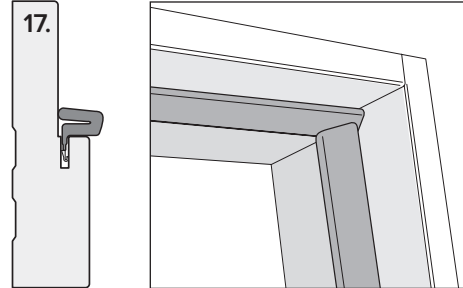


STEP 14: Fasten the frame to the rough opening with #8 x 2-1/2" in. screws. Set each screw through shims, underneath the weather seal.

STEP 15: On top hinge, replace 2 short screws closest to weatherstrip with 8 x 2-1/2" screws. On all other hinges, replace top screw closest to weatherstrip.

STEP 16: Finish the surface of the frames within 15 days of installation to prevent the factory primer from breaking down.

Step 17: Insert weatherstrip by fully installing/placing leg fully into the frame kerf slot. Each end of the weather strip should lightly touch the frame face or the mating weatherstrip. The fit should be flush, not too short or too long. Do not fold or wrinkle the weatherstrip.

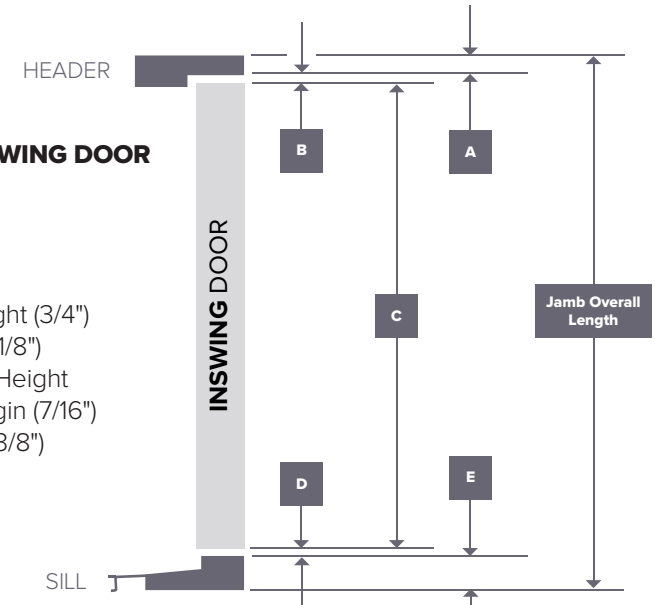


STEP 18: Seal with high quality caulk: inside top corners, bottom to sill, brickmould to siding, and brickmould to frame.

DETERMINING INSWING DOOR FRAME HEIGHT

Add the following:

- A - Header Height (3/4")
- B - Top Margin (1/8")
- C - Door Panel Height
- D - Bottom Margin (7/16")
- E - Sill Height 1-3/8")



DETERMINING HEADER LENGTH:

Hinge Margin (1/16") + Door Panel Width + Strike Margin (5/32")

DETERMINING OUTSWING DOOR FRAME HEIGHT

Add the following:

- A - Header Height (3/4")
- B - Top Margin (1/8")
- C - Door Panel Height
- D - Bottom Margin (1/8")
- E - Sill Height (7/8")

