

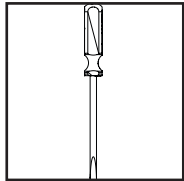
# Z-Series Outswing Bumper Cap Sill



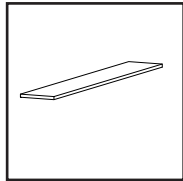
8817 West Market Street  
Colfax, NC 27235 | 800.334.2006  
www.enduraproducts.com

## Replacement Instructions

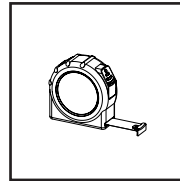
### Tools/Materials Required:



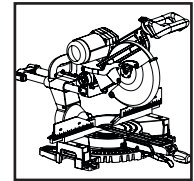
Flathead Screwdriver



Thin Wooden Board or Cloth



Measuring Tape

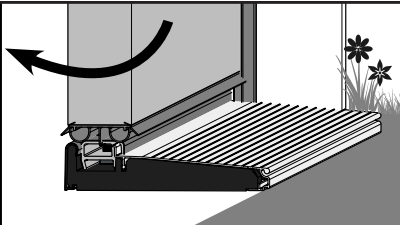


Cutting Tool

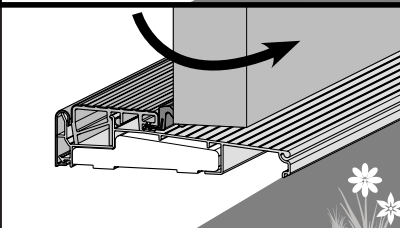
### Product Reference Guide

#### Inswing/Outswing Sills

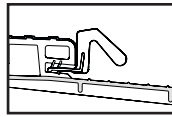
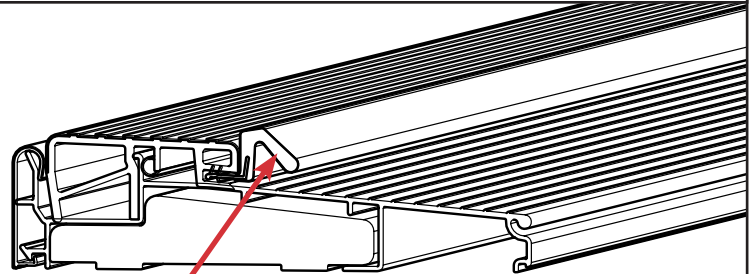
**Inswing:** Door swings into home when opened. Cap is thinner than outswing cap. Door sits on top of cap when closed.



**Outswing:** Door swings away from home when opened. Cap is wider than inswing cap. Door sits against side of cap when closed.



#### Z-Series Outswing Bumper Cap Sill

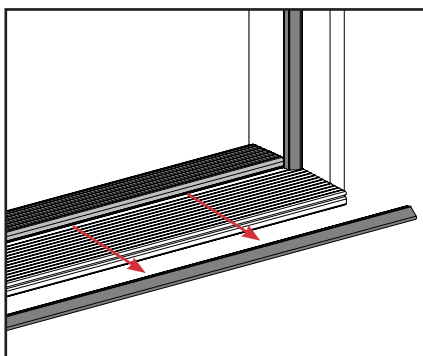


Weatherstrip inserted in the cap



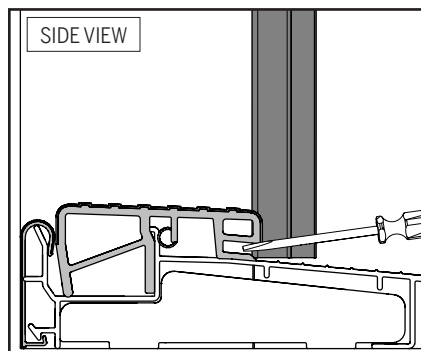
Sill cap is oversized and must be cut to sill length.

## STEP 1: REMOVE OLD SILL CAP

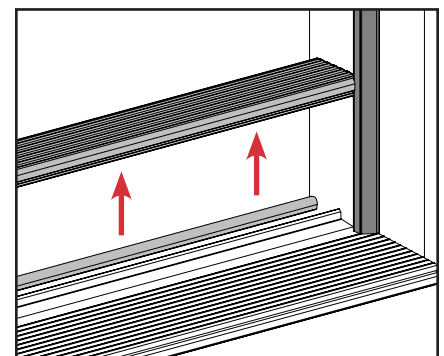


a. To prevent damage, carefully remove weatherstrip from front of sill cap.

Protect aluminum sill deck with a thin board or cloth to prevent damage when prying off sill cap.

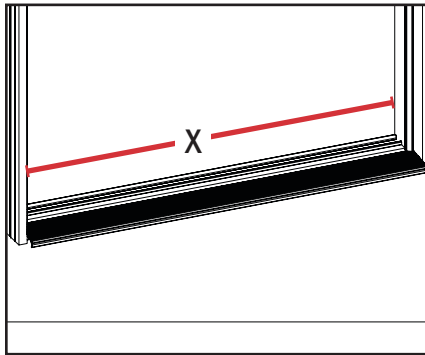


b. Place a flathead screwdriver under front leg of sill cap at one end.

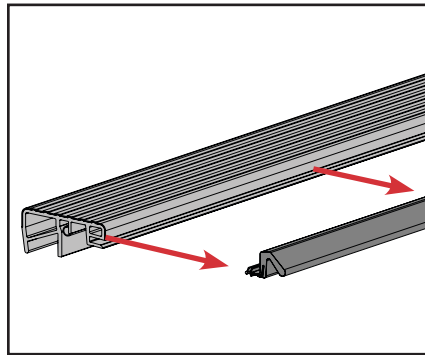


c. Pry old sill cap up with screwdriver, working from one end to the other. Pull the cap out of the channel.

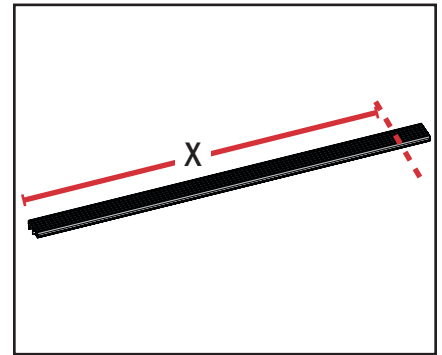
## STEP 2: CUT NEW SILL CAP TO LENGTH



a. Measure length of sill channel (X) to determine new sill cap length.

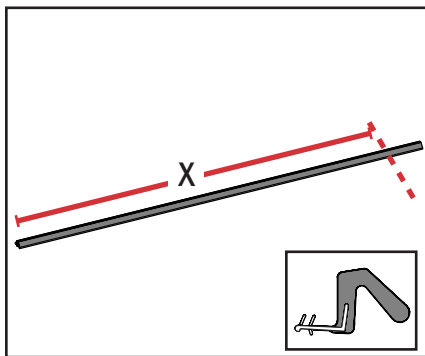


b. Remove weatherstrip from the new sill cap to prevent damage.



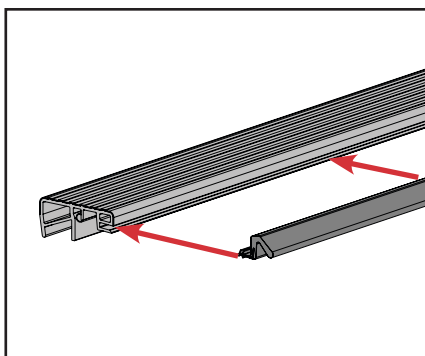
c. Cut the new sill cap to the proper length, using the sill channel measurement.

**⚠ Caution:** Measure carefully and cut precisely to avoid damaging the NEW cap.

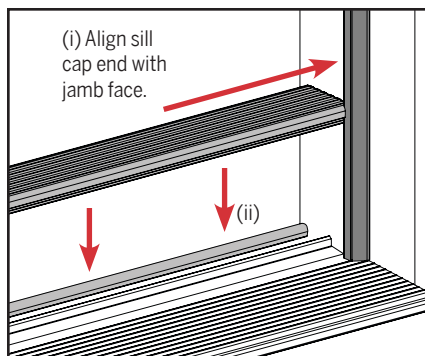


d. Trim the weatherstrip to match the length of the new trim cap.

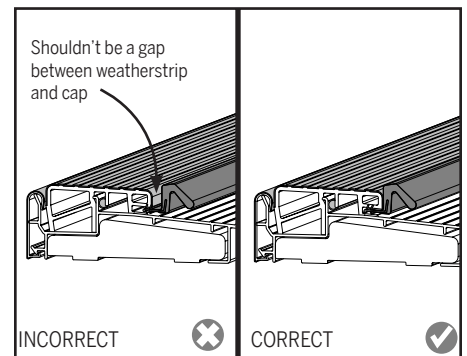
## STEP 3: ASSEMBLE NEW SILL CAP AND WEATHERSTRIP



a. Reinsert the weatherstrip into the sill cap.



b. (i) Align one end of sill cap with jamb face and (ii) push the cap firmly into the channel.



c. Work along sill cap length until fully seated (secured in sill channel). Ensure weatherstrip and sill cap fit securely.

SKU: BD-INST-ZOBCAP  
Rev. Date: 04.10.18  
©Endura Products, Inc.  
Innovation protected under patents and patents pending in  
U.S. and Canada. See [www.EnduraPatents.com](http://www.EnduraPatents.com).