

# Endura Ultimate Lite Astragal Inswing (Standard and Locking Bolt)

## Field Installation Instructions



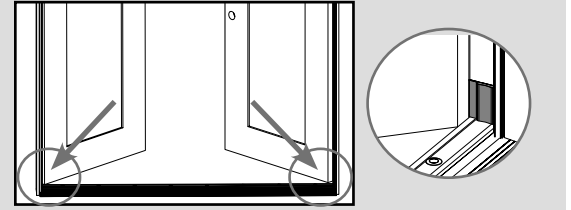
### Tools Required:

- Pencil/Marker
- Drill (3/8" and 5/8" Bits)
- Utility Knife
- Screwdriver
- Tape Measure

### Kit Includes:

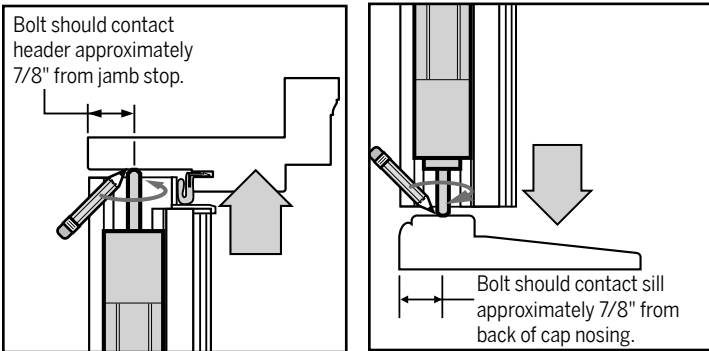
- Head and Sill Bolt Receivers
- Screws

**Before you begin:** Install corner pads on door hinge jambs to establish proper jamb side margins. This ensures accurate hole locations for the bolt receivers.



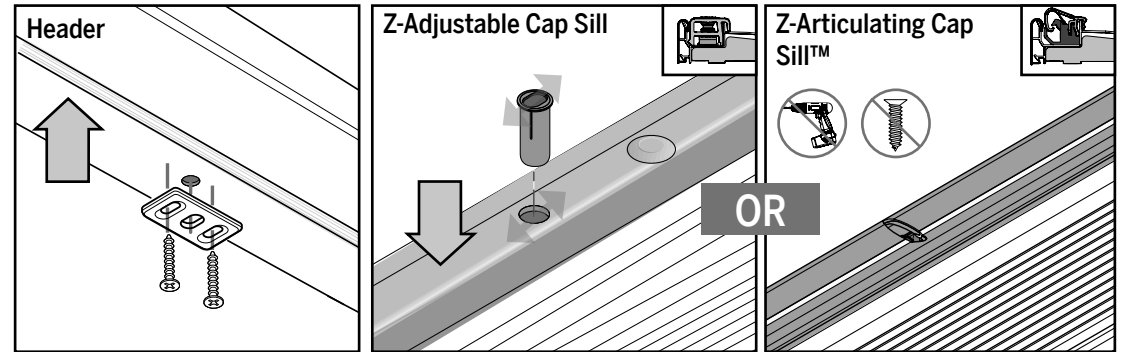
## STEP 1: POSITION AND INSTALL BOLT RECEIVERS

### a. Mark where the bolt pin contacts the header and sill



Close inactive door until the weatherstrip on header is compressed. Push upper and lower bolts so the pins come in contact with the header and sill. Mark contact points.

### b. Drill hole at marked locations on header and sill, and install bolt receivers



**Hole Diameter:** 3/8"

**Hole Depth:** At least 1-3/8"

Screw in upper retainer as shown.

**Hole Diameter:** 5/8"

**Standard Bolt Hole Depth:** 13/16"

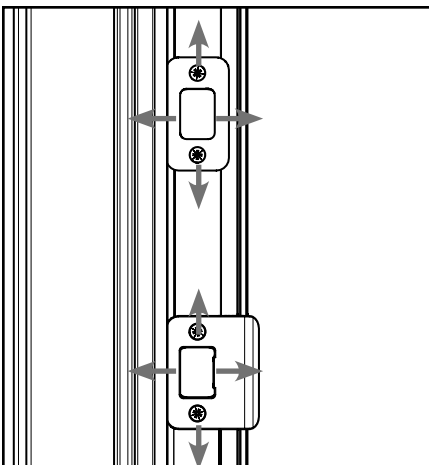
**Locking Lite Bolt Hole Depth:** 1-3/8"

Tap lower bolt receiver into place.

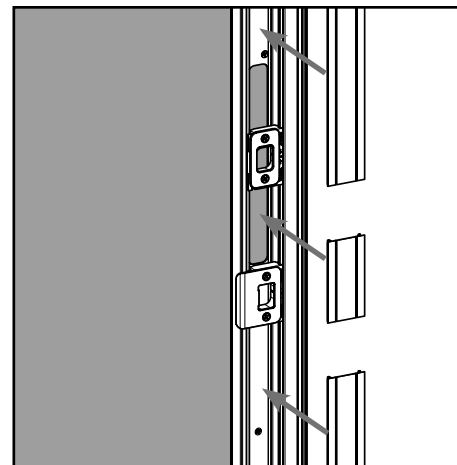
No drilling necessary! Pin capture is preinstalled.

**Note:** Z-Articulating Cap Sills™ do not feature adjustment screws.

## STEP 2: ADJUST HARDWARE



**a.** Close both doors and determine the exact location of the strike and deadbolt plates. Loosen the securing screws and adjust the placement of the plates.



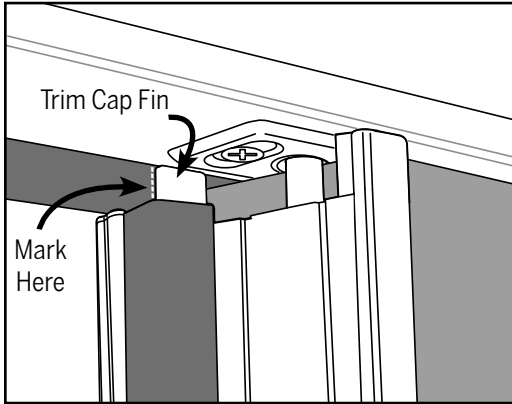
**b.** Return trim strip. If necessary, resize the trim so the ends fit snug against each strike and deadbolt plate.

# Endura Ultimate Lite Astragal Inswing (Standard and Locking Bolt)

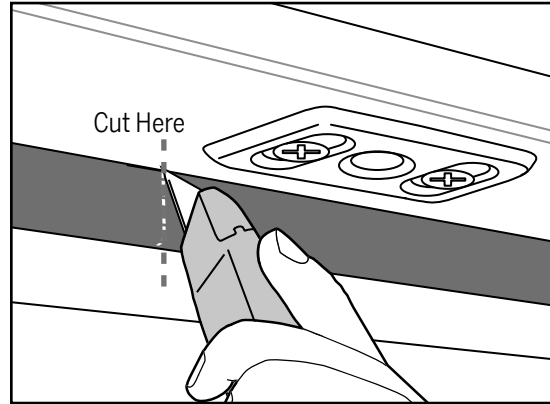
## Field Installation Instructions



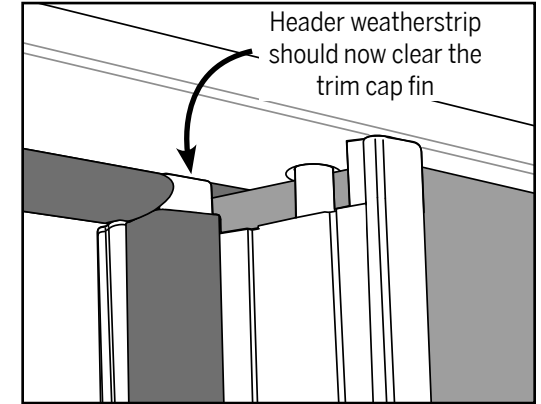
### STEP 3: CUT WEATHERSTRIP AT HEADER



a. Close the inactive door. Mark the location of where the trim cap fin meets the header weatherstrip.

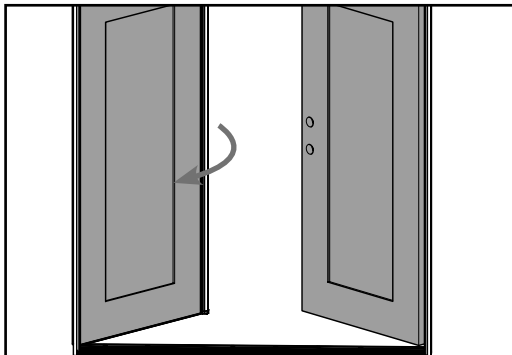


b. Open the inactive door, use a utility knife to cut the header weatherstrip on the mark made.

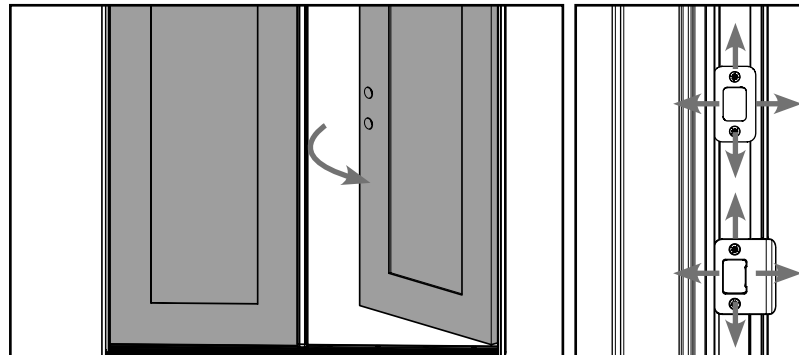


c. Ensure that the trim cap fin makes contact with the active door panel when the door is closed, maintaining the integrity of the seal.

### STEP 4: CONFIRM PROPER INSTALLATION



a. Close the inactive door and engage the upper and lower bolts. Ensure the bolt pin slides into the head and sill bolt receivers without obstruction. If not, adjust the location of the bolt receivers.



b. Close both the active and inactive doors and engage the deadbolt to ensure the door closes and locks completely. If not, adjust the location of the strike/deadbolt plate.