

Trilennium® 3500 Multi-Point Locking System

Replacement Instructions



TOOLS REQUIRED:

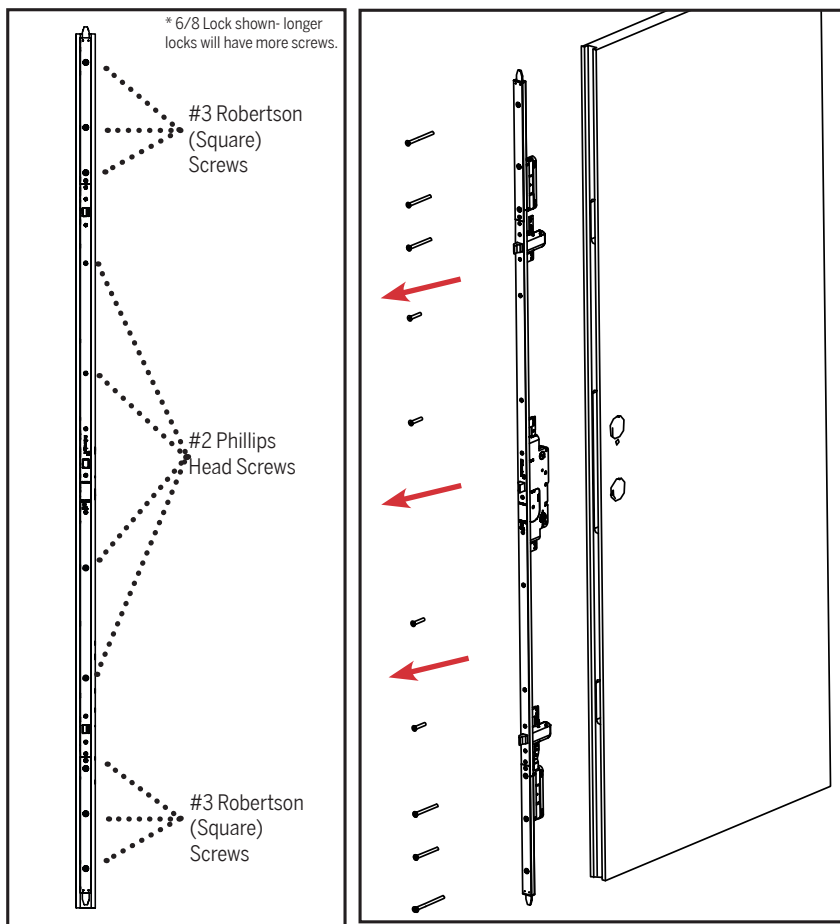
- Screwdriver or Drill
- #2 Phillips Head and #3 Robertson (Square) Drive Bits

KIT INCLUDES:

- Trilennium® 3500 Multipoint lock
- Mounting Screws

STEP 1: REMOVE THE EXISTING LOCK, IF PRESENT, FROM THE ACTIVE DOOR PANEL

Note: You must first remove the handle or grip lever before removing the lock.

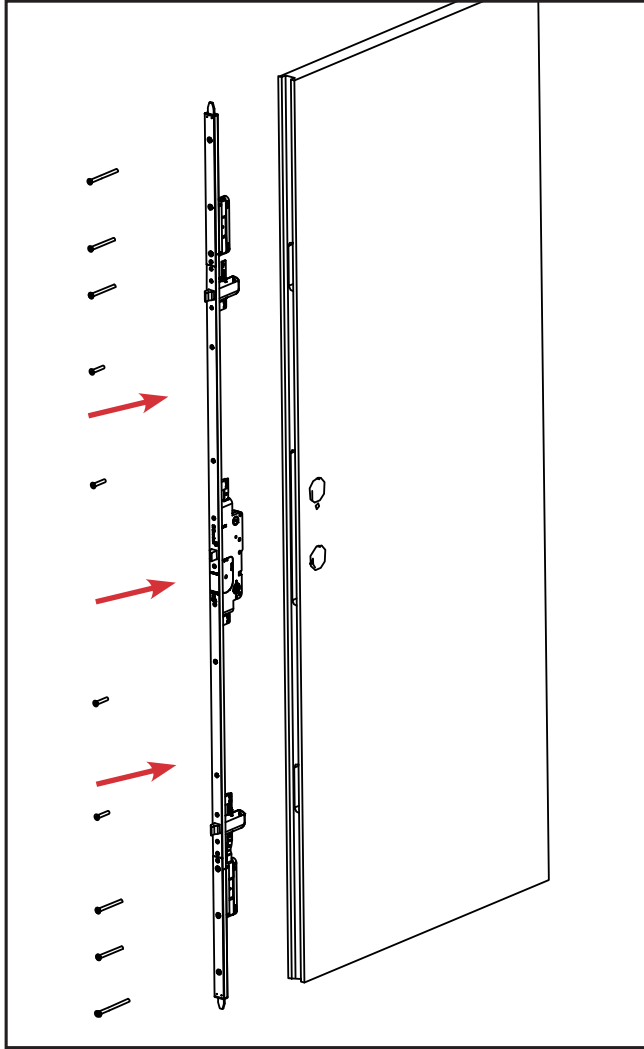


Loosen the screws that secure the lock on the panel and remove the existing lock. Clear out any debris that may be in the exposed channel. You do not need to remove the torx-head screws.

⚠ Use caution while loosening the screws, as without the securing screws the lock may fall out.



STEP 2: INSTALL NEW LOCK



Place the new lock face out into the channel. Ensure the lock faceplate is flush with the panel. Screw the lock in using the screws provided.

NOTES:

- Check that the latch bevel faces the strikes on the jamb and is the same as the one that you are removing
- Confirm that the panic release function is on the interior side of the lock.
- You do not need to remove the torx-head screws.