

Trilennium® 3070 Multi-Point Locking System

Replacement Instructions

TOOLS REQUIRED:

- Screwdriver or Drill

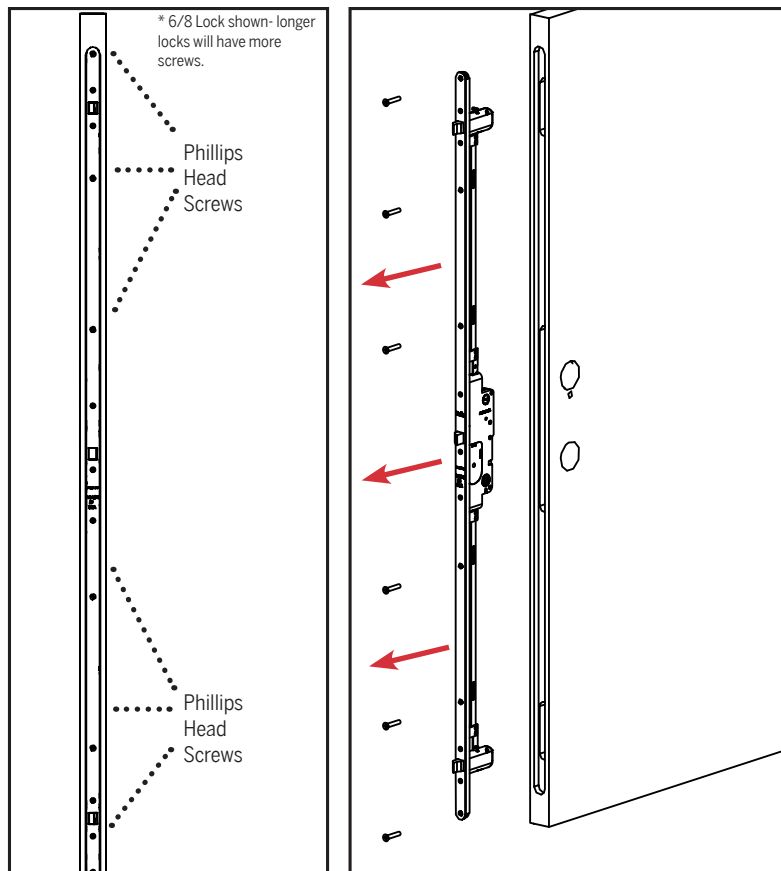
KIT INCLUDES:

- Trilennium® 3070 Multipoint lock
- Mounting Screws



STEP 1: REMOVE THE EXISTING LOCK, IF PRESENT, FROM THE ACTIVE DOOR PANEL

Note: You must first remove the handle or grip lever before removing the lock.

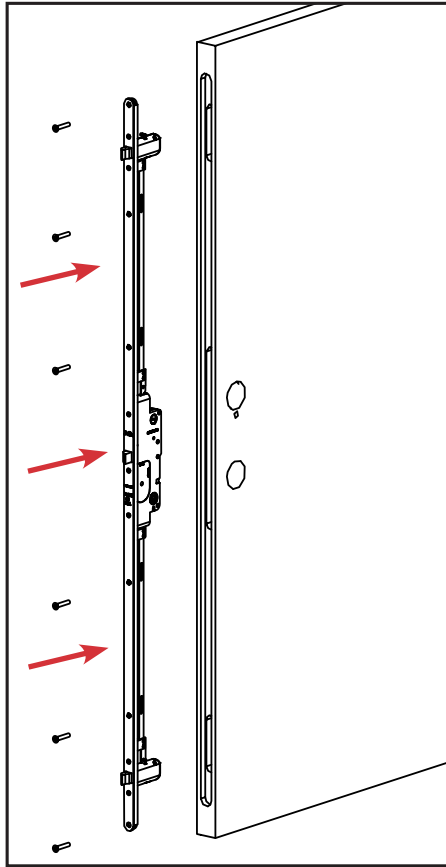


Loosen the screws that secure the lock on the panel and remove the existing lock. Clear out any debris that may be in the exposed channel. You do not need to remove the torx-head screws.

⚠ Use caution while loosening the screws, as without the securing screws the lock may fall out.



STEP 2: INSTALL NEW LOCK



Place the new lock face out into the channel. Ensure the lock faceplate is flush with the panel. Screw the lock in using the screws provided.

NOTES:

- Check that the latch bevel faces the strikes on the jamb and is the same as the one that you are removing
- Confirm that the panic release function is on the interior side of the lock.
- You do not need to remove the torx-head screws.