

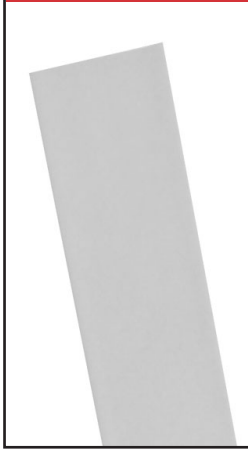
Endura Astragal Trim Strip

Replacement Instructions

Tools Required:

- Flathead Screwdriver
- Measuring Tape
- Pencil or Marker
- Cutting Tool

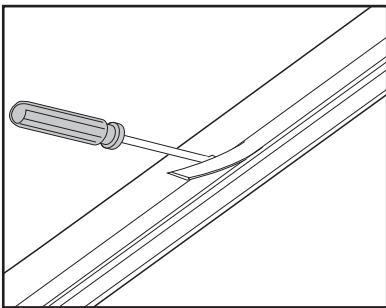
STRIKE SUPPORT
TRIM STRIP



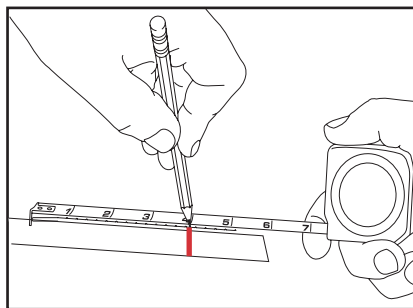
ASTRAGAL TRIM
STRIP



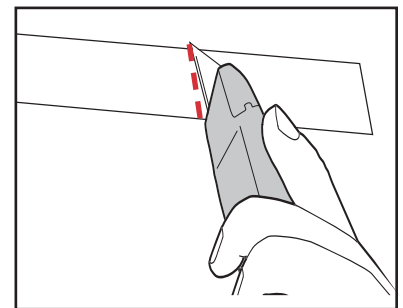
STEP 1: PREPARE NEW TRIM



a. If replacing existing trim strip: Remove trim strip by prying up one end with a flathead screwdriver and peeling away from the astragal body.

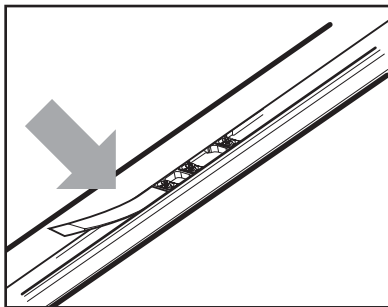


b. Measure the length of the trim strip to be replaced, or the length of space where the trim is missing.

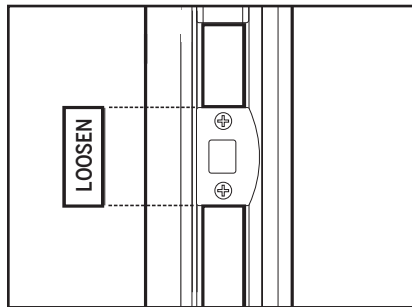


c. Cut the new trim strip to be the same length.

STEP 2: INSTALL NEW TRIM



a. Snap the trim into the body working from one end to the other.



b. If the trim adjoins the strike and/or deadbolt plate, loosen the plates to allow the trim to fit under the edge of the plate. Once the trim is inserted, tighten the screws.

SKU: BD-INST-ASTTRIM
Revised: 02.13.2017



8817 West Market Street, Colfax, NC 27235
800.334.2006 Fax: 336.668.4478
www.enduraproducts.com