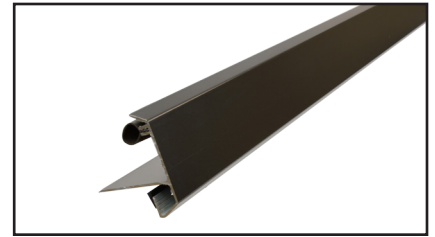


Endura Astragal Security Flange

Replacement Instructions



Tools Required:

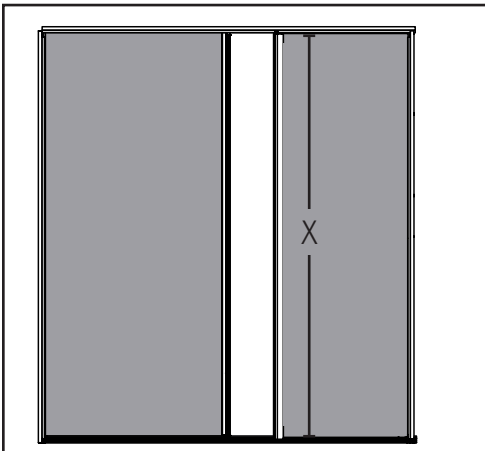
- Measuring Tape
- Cutting Tool
- Phillips Screwdriver

Hard, Plastic-Edged Tool may be necessary to help remove the old flange.

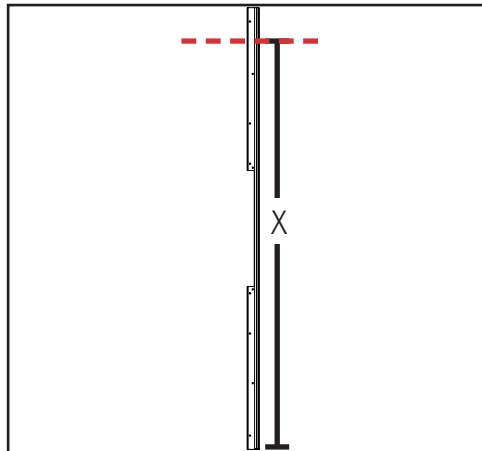
NOTES:

- Security flanges are supplied longer than needed, and according to door panel nominal height - 6'8", 7'0", or 8'0"
- Flange orientation is as follows:
 - 6'8" - Cut out is at the middle of the flange
 - 7'0" or 8'0" - Cut out is towards bottom of flange
- Center cut out should allow for proper latch and deadbolt clearance and operation.
- When aligned with the bottom of the door panel, the supplied flange should be longer than the top of the door panel.

STEP 1: SIZE THE REPLACEMENT FLANGE

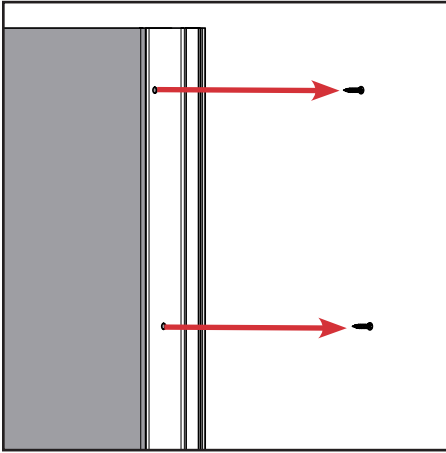


a. Measure the length of the active door panel (X). If the door bottom is attached, do not include this in the measurement.

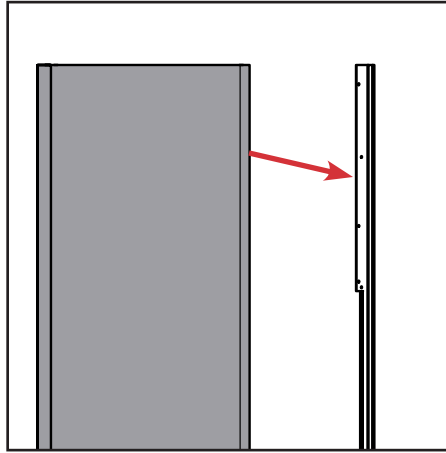


b. Cut the replacement flange to the same length as the door panel. Make the cut from the top end.

STEP 2: REMOVE EXISTING SECURITY FLANGE



a. Remove the screws along the entire length of the flange.

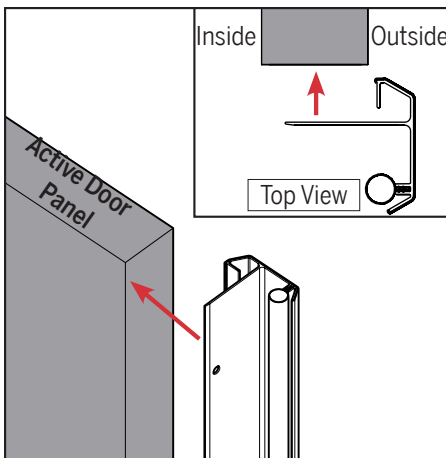


b. Starting at one end, pry the flange from the door panel, working along the length.

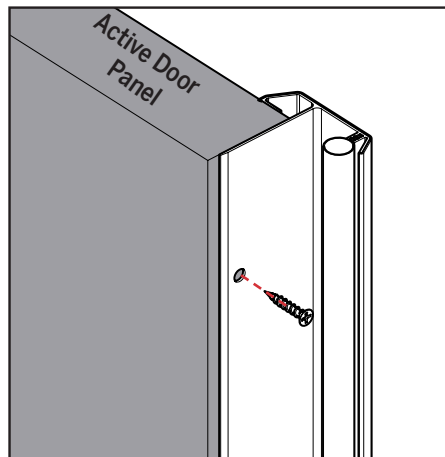
NOTE: The flange is taped to the outside face of the door panel and will take effort to separate.

Remove residual tape from the door panel face as much as possible. A hard, plastic-edged tool may be necessary. Take care not to damage the door panel surface.

STEP 3: INSTALL NEW SECURITY FLANGE



a. Position the security flange on the active door panel with the wide flange facing the outside of the house. Peel the tape backing and secure against the active panel.



b. Insert the screws through the predrilled holes to secure the flange snug against the face of the active door.