

Endura Metal Flush Bolt

Replacement Instructions

Tools Required:



Phillips
Screwdriver

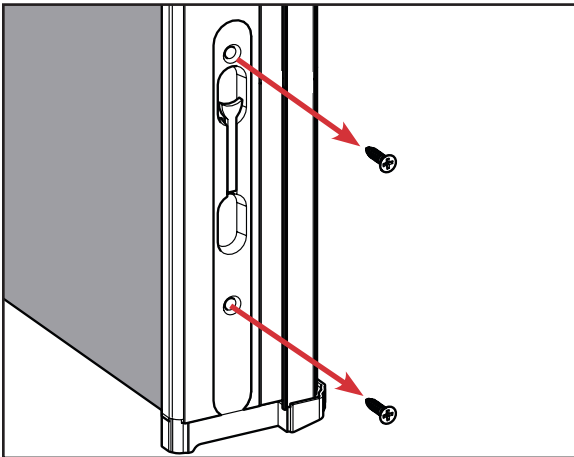
METAL FLIP
FLUSH BOLT



METAL PUSH
FLUSH BOLT



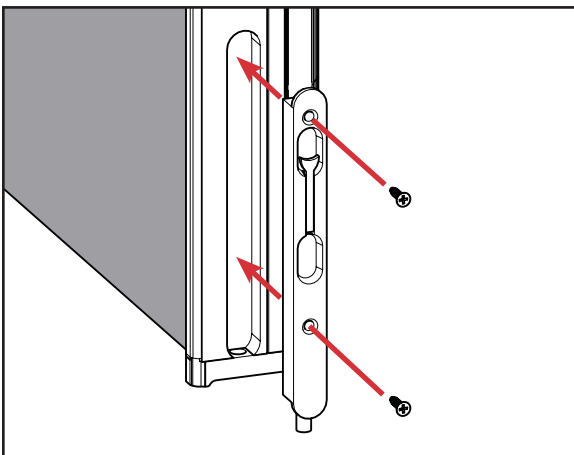
STEP 1: REMOVE EXISTING FLUSH BOLT



Remove the mounting screws securing the existing flush bolt and then remove the existing flush bolt.

Ensure the pocket is clear of debris and dirt.

STEP 2: INSTALL NEW FLUSH BOLT



Insert the new flush bolt into the pocket, flush against the astragal. Secure in place with the mounting screws.

Confirm proper functionality by flipping or pushing the bolt a few times. The pin should move smoothly through the rubber boot.

SKU: BD-INST-METALBOLT
Revised: 02.15.2017



8817 West Market Street, Colfax, NC 27235
800.334.2006 Fax: 336.668.4478
www.enduraproducts.com